



### DESCRIPTION:



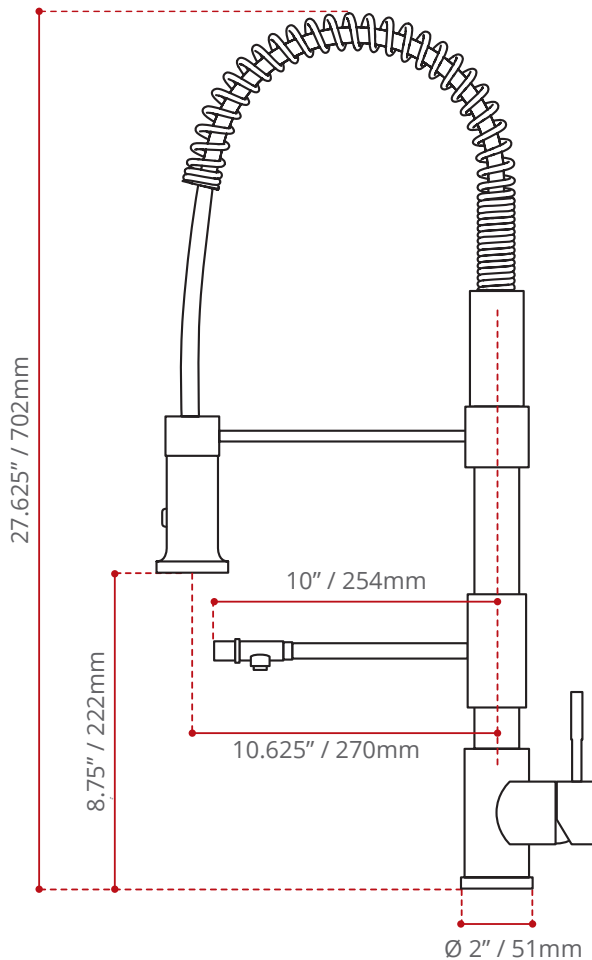
- ADA Compliant.
- Brushed stainless steel finish.
- Easy to clean and maintain.
- 100% stainless steel construction.
- High quality drip-free ceramic cartridge.
- Dual pull-out spray head.
- Single lever water & temperature control.
- Pressure and leak tested.
- Resist discoloration and corrosion.
- Top-mount, single hole installation.
- 360 - degree swivel spout.
- All mounting hardware included.
- Hot/Cold waterlines included
- Complies with CSA & IAPMO standards.

### FLOW RATE:

## 8.3 LPM

### SHIPPING INFORMATION:

- Length: 33.75" / 857mm
- Width: 14.25" / 362mm
- Height: 3.25" / 83mm
- Net Weight: 3.24 kg / 7.14 lbs.
- Gross Weight: 3.85 kg / 8.48 lbs.



DISCLAIMER:  
Measurements may vary  $\pm \frac{1}{4}$ "  
(Diagram Not to scale)

